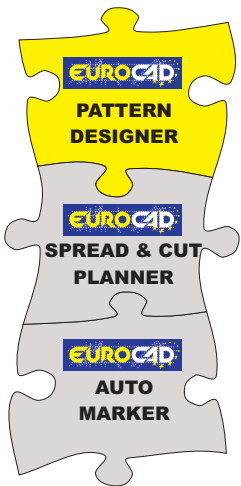


# EuroCad PATTERN DESIGNER

Easy design, digitize, grade, verify and print your perfect patterns



- Quick and accurate pattern design, using basic design tools and advanced geometrical procedures
- Advanced model design and make-up with simulation for darts, folds, etc
- Automatic and manual pattern grading
- Pattern checking and verifying, measurement table, real time watcher
- Pattern digitizing, support for fast access digitizing functions, vocal confirmation
- Editor for technical documentation, including support for graphical add-ons
- Direct convertors from Lectra, Gerber, Assyst and also DXF-AAMA format.

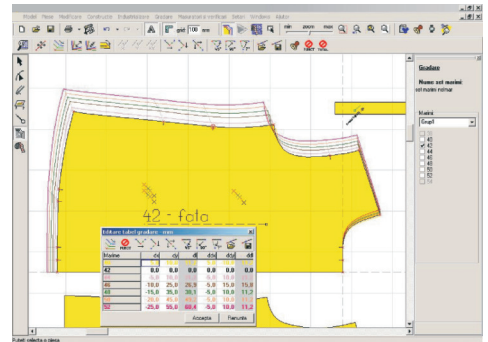
When you design your own products or collections, EuroCAD Pattern Designer is the software environment in which the designer's ideas are easily transformed into perfectly built and checked pattern projects.

Enhanced with unique design functions like reversible folds and darts, automatic & interactive seam allowance creation, automatic notch translation and the all-sizes dimension watcher, EuroCAD systems allows a quick and perfect pattern design.

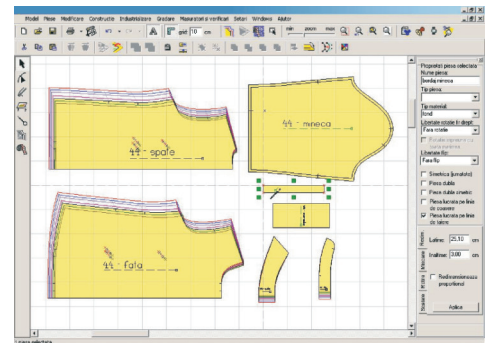
Automatic grading and the interactive grading functions allows the previous experience to be stored in grading rules and easily applied to the new products. EuroCAD Pattern Designer is based on Bezier curves, but can also handle complex polylines or B-Spline Curves.

The EPD's interface has a very different approach compared to other CAD applications, because is built to be extremely user friendly, according to the latest software standards.

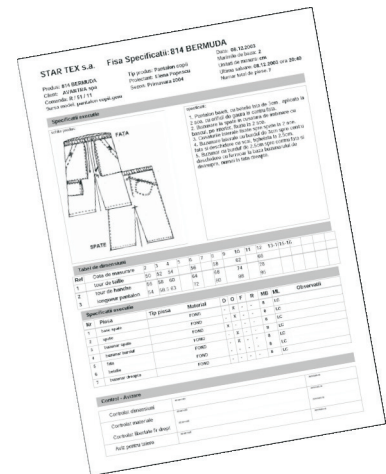
EPD comes as standards with a built-in convertor for Gerber, Assyst and Lectra native files and also for DXF-AAMA import and export.



EuroCad Pattern Designer - GRADING Tool



EuroCAD Pattern Designer - PIECE Tool



EuroCAD Pattern Designer - product technical sheet

**YOU WANT TO TEST  
THIS SOFTWARE ?**

**Visit our website**

**[www.eurocad-systems.com](http://www.eurocad-systems.com)**

**for free download**

**EuroCAD Systems**

**[www.eurocad-systems.com](http://www.eurocad-systems.com)  
[sales@eurocad-systems.com](mailto:sales@eurocad-systems.com)**

